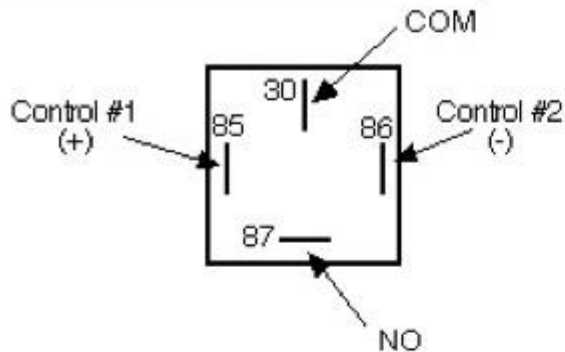


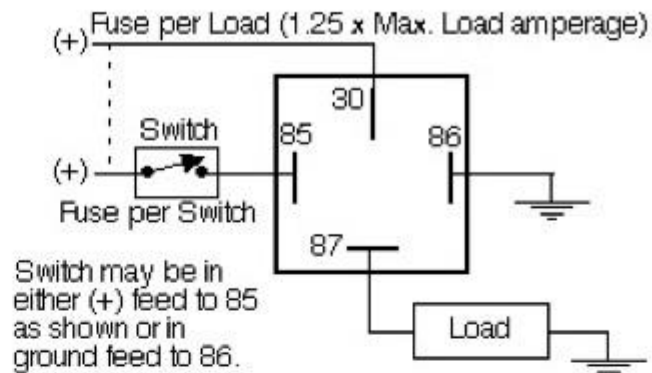
Relay - Quick Reference Sheet

by Steve Watson
Watson's StreetWorks

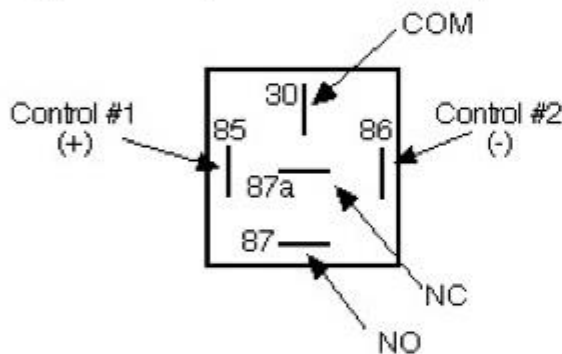
"1 Form A" (SPST) 4-Wire Relay Typical Configuration and Use



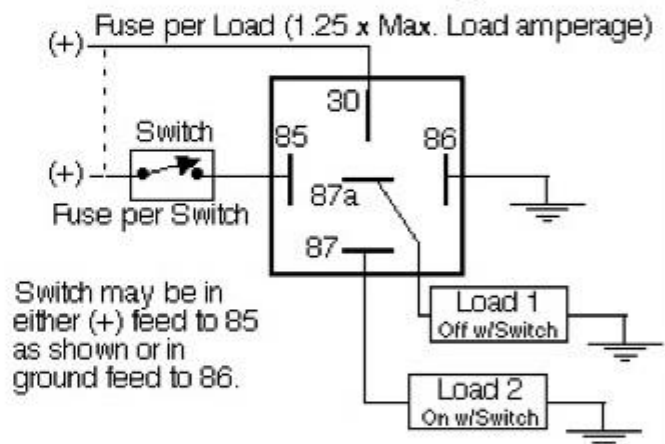
On/Off High Amperage Load Switching



"1 Form C" (SPDT) 5-Wire Relay Typical Configuration and Use



On/On High Amperage Load Switching



NO = Normally Open (not connected)

NC = Normally Closed (connected)

COM = Common Connection


Poles = # of Inputs

Throws = # of Outputs

SPST = Single Pole (1) - Single Throw (1) for On/Off Switching

SPDT = Single Pole (1) - Double Throw (2) for On/On Switching

(+) = Positive Hot Feed

 = Ground (-)

----- = Alternate Connection

Watson's

StreetWorks

PO Box 270, Bozrah, CT 06884

860.859.0513

www.watson-streetworks.com



Doing electrical work but you just aren't quite sure of yourself? Pick up a copy of our Basic Auto Electricity Book. This fact filled

book walks you through electricity from the basics to a complete automotive circuit diagram. And at just \$7.95, it's better than aspirin at

solving electrical headaches!

This entire document © StreetWorks LLC, 2011